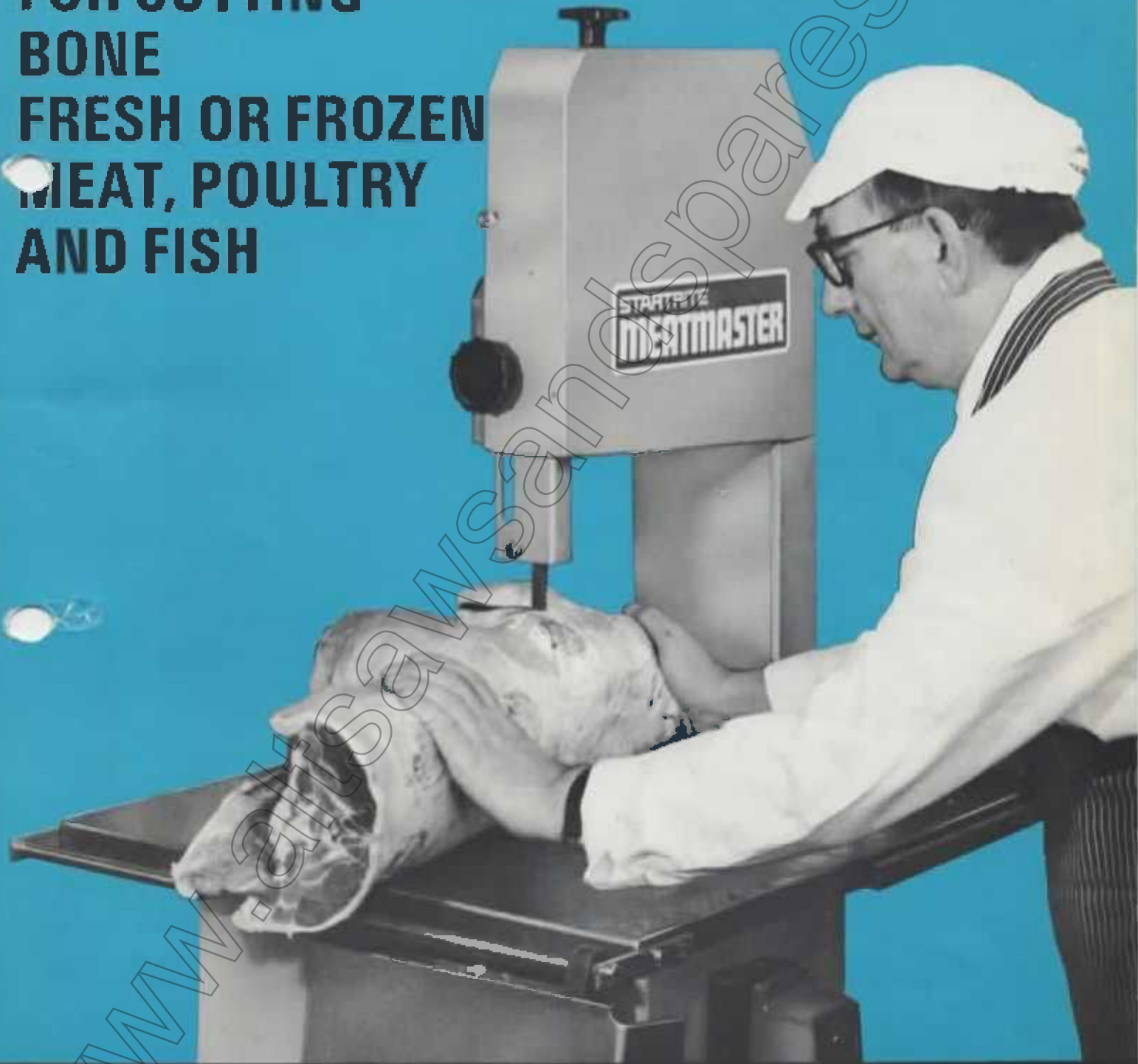


STARTRITE

MEATMASTER

**300-300F BAND SAWS
FOR CUTTING
BONE
FRESH OR FROZEN
MEAT, POULTRY
AND FISH**



**DESIGNED AND MADE BY BRITAIN'S LARGEST MANUFACTURERS OF BAND SAWS
SUPPLIERS TO 56 COUNTRIES THROUGHOUT THE WORLD**

FAST ACCURATE SAFETY SAWING WITH SLIDING TABLE AND PORTION FENCE

The Startrite Meatmaster is designed with the cost conscious Businessman in mind, whether it be for the Family Butcher, Caterer, Hotelier, Restaurateur, or Supermarket Meat Manager. The compact size of this machine conceals the 'big cut' - which will break up a whole lamb with ease thus saving the cost of a larger machine. Capable of taking cuts over 12" wide x 1 1/2" high the Meatmaster is fitted with sliding table and portion fence as standard equipment.

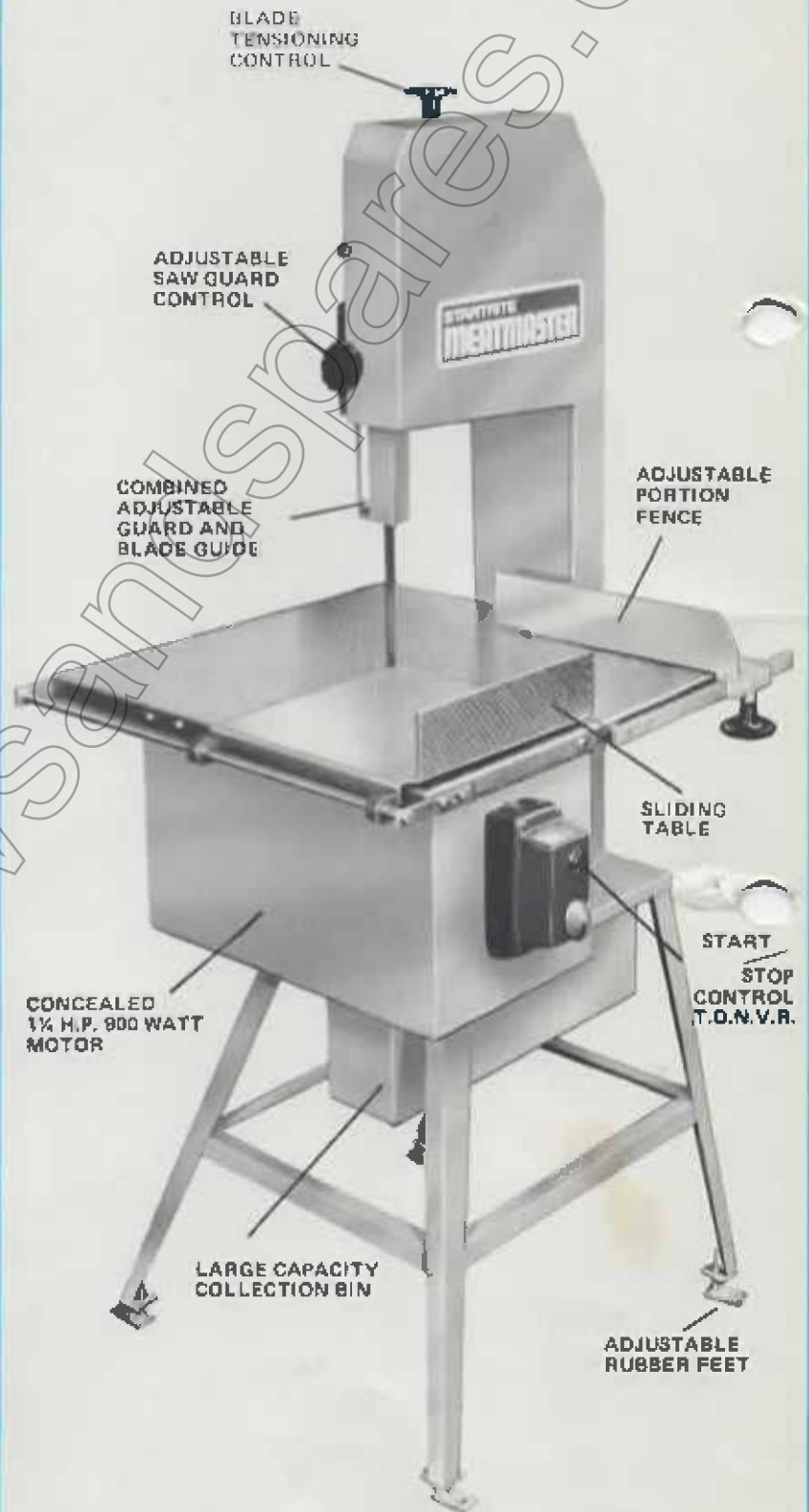
CONSTRUCTION DETAILS

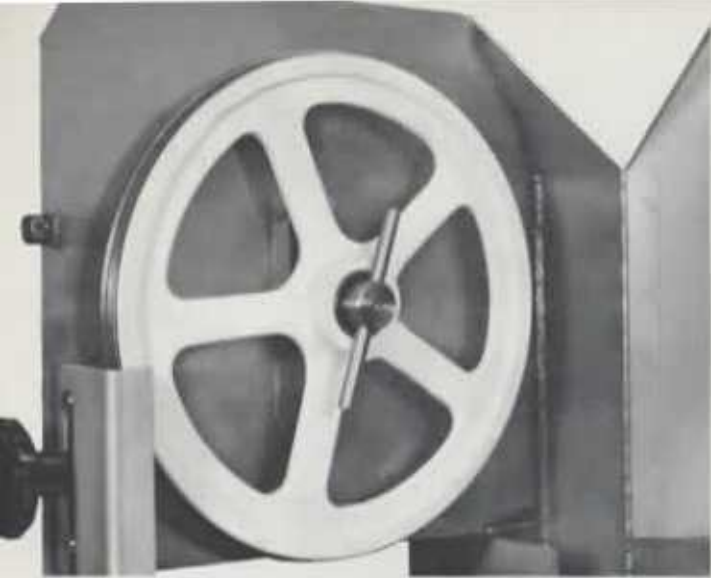
Designed for maximum rigidity the hygienic electro-galvanised saw frame and stand are treated with a durable, baked, non-toxic finish coating. The frame is of box construction with single-piece door for maximum accessibility and the stand legs are equipped with adjustable mounting pads which permit variable working heights and leveling on irregular floors.

The large stainless steel fixed table (24" x 23") carries a sliding table and rapid set portion gauge for sawing steaks, chops and other sliced foods to a uniform thickness. The handwheels are flanged and dynamically balanced to ensure vibration free, straight cutting and a special auto-set blade tensioner ensures maximum life for the 5/8" x 91" saw blade. The machine drive is through a 1 1/4 H.P. (900 watts) totally enclosed motor, housed in the machine frame away from meat contact areas. A unique combined blade guide and guard, saw blade scrapers, replaceable table centre insert and thermal overload no-volt release starting gear are among other special features included on the machine to ensure fast accurate sawing with minimum maintenance.

CLEANING

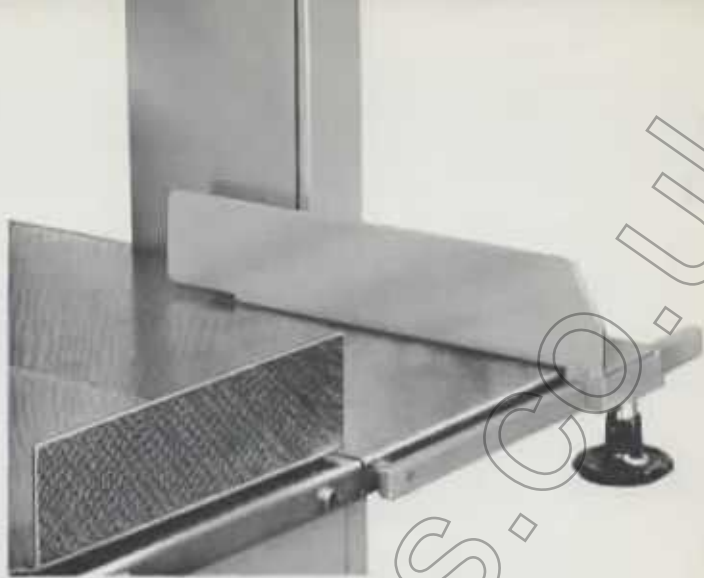
Cleaning is an easy process as both handwheels, portion fence, saw guard, blade scrapers and waste bin can be rapidly removed and re-installed without use of tools. All tables, fence plates, rods and spindles etc., are made from stainless steel or chromium plated for easy cleaning.





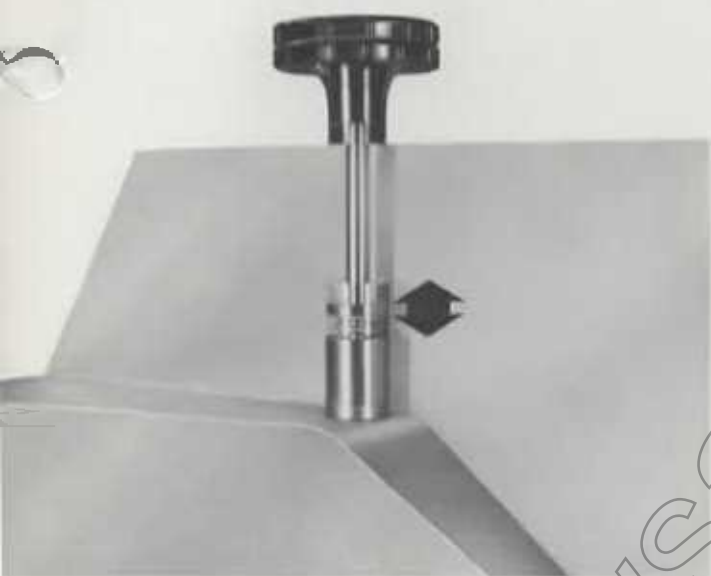
Easily removable bandwheels

The Starrite Meatmaster is one of the few machines available with easily removable upper and lower bandwheels. This feature is essential for absolute cleanliness and ensures a superior standard of hygiene.



Adjustable Portion Fence

The portion fence with stainless steel fence plate is easily adjustable to ensure regularity of desired thickness of cut.



Auto-Set Blade Tensioning

The blade is removed by lowering the upper band wheel to the tension. The correct maximum tension adjustment is made when reassembled—no special engineering knowledge or tools are required, it's so simple.



Blade Scrapers for Clean Cut

Blade scrapers ensure that the blade and bandwheels are kept as clean as possible and the meat has a fresh meat finish free from smear.



Blade Guide and Guard Combining Simplicity with Efficiency

The combined guide and adjustable guard ensures the correct blade support maintaining a true cut with additional protection. This unique design not seen before on meat cutting bandsaws.



Sliding table for ease of operation

The sliding stainless steel table, used with or without the portion fence, moves smoothly on guide bushes and gives a quick, smooth action to improve the cutting operation. Sliding table pivots to the side to make full use of main table.

SPECIFICATION

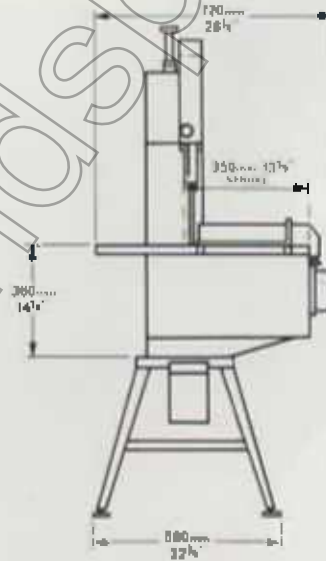
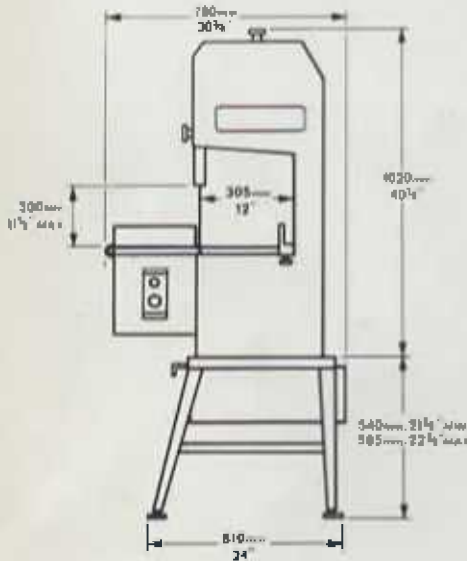
MODEL 300

MODEL 300F

Cutting width	305 mm (12")
Cutting height	300 mm (11 ⁵ / ₈ ")
Wheel diameter.....	314 mm (12 ³ / ₈ ")
Blade length	2312 mm (91")
Motor	1 ¹ / ₄ h.p. 900 watt
Electric supply	230v-250v. 1ph. 50Hz 440v. 3ph. 50Hz
Starter	Thermal overload, no volt release.
Overall height.....	1585 mm (62 ⁵ / ₈ ")
Net weights	MODEL 300 91 kg (200 lbs) MODEL 300F 86 kg (188 lbs)

MODEL 300F NOT FITTED WITH SLIDING TABLE
IMPERIAL DIMENSIONS AND WEIGHTS ARE APPROXIMATE

MANUFACTURED BY STARTRITE, BRITAIN'S LARGEST SUPPLIERS OF BANDSAWING MACHINES.



For the optimum cut use Startrite *Supaflex* Blades

STARTRITE MEATMASTER



DESIGNED TO MEAT
your needs