

STARTRITE

INSTRUCTION MANUAL

**MDE2 and MDE3
2 and 3 Motor
Modular Dust
Extraction Units**

IMPORTANT
READ THE INSTRUCTIONS
CAREFULLY BEFORE
USING HIS PRODUCT

ISSUE 2
BO11672

A.L.T. Saws & Spares Ltd

Startrite Machine Specialist

Unit 15, Pier Road Industrial Estate
Gillingham
Kent

ME7 1RZ

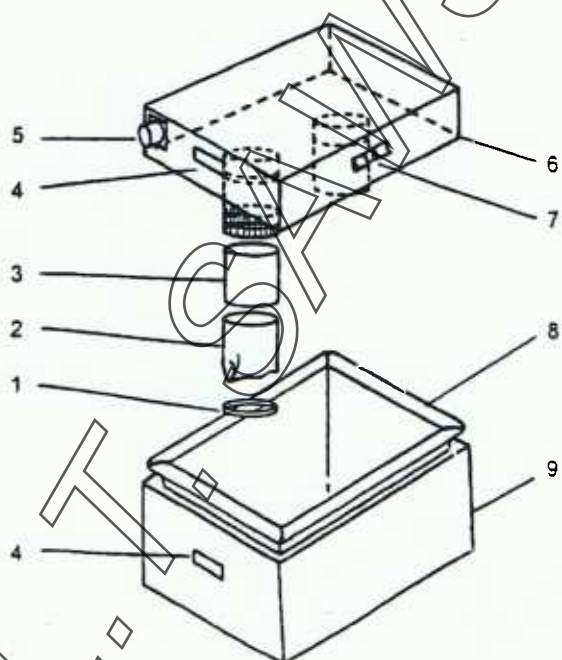
Tel/Fax: 01634 850833

www.alt.sawsandspares.co.uk

CONTENTS:

PAGE	DESCRIPTION
2	General arrangement
3	Specification
3	Health and safety advice
4	Handling, transportation and location
4	Installation
4	Connection of the electricity supply
5	Setting and operating
5	Maintenance <ul style="list-style-type: none"> - Cleaning - Filters and collection box - Ducting and hoses - Other maintenance
6	Wiring and location diagram

GENERAL ARRANGEMENT:



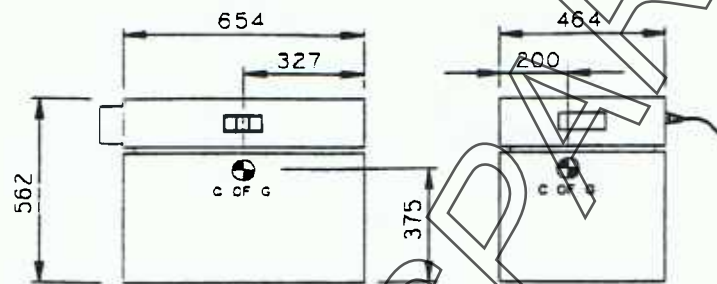
Key

- 1 Retaining band*
- 2 Outer filter (paper)*
- 3 Inner filter (cloth)*
- 4 Lifting handle
- 5 Inlet coupling
- 6 Vacuum motor housing
- 7 On/off switch*
- 8 Collection box
- 9 Base

*MDE2 - 2off
MDE3 - 3off

SPECIFICATION

Model		MDE2	MDE3
Supply Voltage (50/60Hz phase)	(V)	220 - 240	220 - 240
Power Consumption	(kW)	2	3
Number of motors		2	3
Capacity	(m ³)	0.14	0.14
Weight (empty)	(kg)	41	44
Typical noise level*	(dBA)	77	85
Degree of protection		IP23	IP23



All dimensions are in mm and are approximate.

Due to policy of product improvement specification may change without notice.

*Actual sound levels may vary depending on conditions of use.

HEALTH AND SAFETY ADVICE

Ensure that you have read the contents of this operating manual, and that you have received sufficient training to enable the safe use and maintenance of this machine before using it.

Inexperienced operators and those under the age of 18 should not operate or maintain this machine unless supervised by an experienced operator.

This dust extraction unit is not suitable for extracting fluids or metallic swarf. Large debris such as timber off-cuts may damage or block ducting and reduce the effectiveness of the extraction unit.

To ensure the effective collection of dust and other debris dust filters must be regularly changed and the contents of the collection box safely disposed of.

The extractor must be effectively coupled to the machine from which dust is being extracted.

The interconnecting ducting should be kept free of obstructions and the exhaust outlets at the rear of the extractor kept free from obstruction.

Ensure that the machine is disconnected from the power supply and that moving parts have come to rest before cleaning or changing filter bags.

Suitable protective equipment, e.g. dust mask, gloves and safety goggles should be worn when emptying the collection bag or changing filters.

Report immediately any machine defect, malfunction or operator hazard. Do not attempt to repair the machine unless competent to do so.

The equipment should be installed and maintained in accordance with the instructions contained in this operating manual.

HANDLING, TRANSPORTATION AND LOCATION.

The dust extractor and all accessories are supplied in a box. To avoid injury it is advised that this be moved using a suitable truck. At all times, lift the machine correctly.

When carrying the dust extractor or removing the vacuum motor housing use the handles provided

The extractor unit should be located on a firm level surface. Position the unit as close as possible to the machinery to which it is to be coupled. Do not place close to walls or other obstructions to avoid difficulty in operating or maintaining the machine. A space of at least 150mm (6") should be allowed at the rear of the machine in order not to obstruct the air outlet.

The extractor unit and spare filters should be located in a dry environment, e.g. inside a building. Exposure to excessive damp may impair the effectiveness of the filters and may cause ducting to become blocked.

INSTALLATION

Check that the extractor has the following supplied with it:

- 3m (9 ft) of 110 mm (4.3") dia flexible hose
- 2 hose clips
- 1 pack of paper filter bags
- 1 disposable collection box

They should be located inside the collection box. Access to the collection box is obtained by lifting the vacuum motor housing off the base.

Connect one end of the flexible hose to the dust extraction outlet of the machine or dust extraction system ducting. Secure the end by positioning one of the hose clips over the flexible hose and tightening the clamp screw until an effective seal is obtained. Connect the other end of the flexible hose to the inlet of the dust extraction unit in the same way. Shorten the hose if necessary to prevent obstruction of the airflow.

Ensure that the collection box is positioned in the base and that the filters are correctly fitted. The two motor unit (MDE2) has two filter units and the three motor unit (MDE3) has three filter units. The cloth filter is placed on the motor housing. The paper filter placed over the cloth filter and secured by the retaining band.

Replace the vacuum motor housing ensuring that it is correctly seated.

If the dust extraction unit is used as part of a dust extraction system incorporating several machines, it is recommended that the unit extracts from one machine at a time. For effective extraction, this requires that each machine in the system be coupled to a shut off gate (SM2809) (supplied separately).

CONNECTION TO THE ELECTRICITY SUPPLY

The dust extraction unit is supplied with a lead fitted with a fused 13A plug. In the event of the fuse requiring replacement use only a fuse rated at 13A. The colour code of the lead is as follows:

- Live (L) - Brown
- Neutral (N) - Blue
- Earth (E) - Yellow/green

Connection must be made with a suitable earthed power supply.

IT IS IMPORTANT THAT THE MACHINE IS EFFECTIVELY EARTHED

If in doubt about the connection of the electrical supply, consult a qualified electrician

When the dust extraction unit is used as part of a dust extraction system incorporating several machines, the unit may be connected to the optional control unit (SM2800) (supplied separately) and not directly with the electrical supply.

SETTING AND OPERATING

Before operating the dust extraction unit ensure that the filters are not clogged (particularly when the unit has not been used for a long time or has been exposed to damp conditions) and that they are correctly fitted. Also ensure that the vacuum motor housing is firmly seated on the base.

Always switch the dust extractor unit on before turning on the machinery from which dust is being extracted.

The vacuum motors can be individually switched to provide optimum performance. It is recommended that the motors are switched on individually to prevent the high momentary levels of power required at start up from overloading the fuse.

It is also recommended that the dust extraction unit be switched off after the turning off the machinery from which dust is being extracted. This will enable the dust extraction unit to purge the system of dust and prevent clogging of ducting. The use of optional control unit (SM2800) and shut off gate (SM2809) is recommended. This provides an interface with machinery and enables the automatic starting of the dust extraction unit and a

SETTING AND OPERATING

Before undertaking cleaning or any maintenance ensure that the dust extractor is disconnected from the power supply, that suitable protective equipment is worn to prevent exposure to dust and that the parts are safely located to prevent them falling.

CLEANING

Use only a damp cloth to clean the exterior of the dust extractor. Washing with water or any other fluid may reduce the effectiveness of the filters and create an electrical safety hazard.

FILTERS AND COLLECTION BOX

For effective operation, change the filters and collection box regularly. Damaged filters may result in reduced the effectiveness. Remove any excess dust from within the unit using a suitable vacuum cleaner.

Filters and ducting will become clogged more quickly when extracting damp wood dust.

For optimum Performance always use **A.L.T.** filters and collection boxes. When ordering quote the following reference numbers:

B07065 Pack of paper filter bags
B07064 Cloth filter
B07100 Collection box

DUCTING AND HOSES

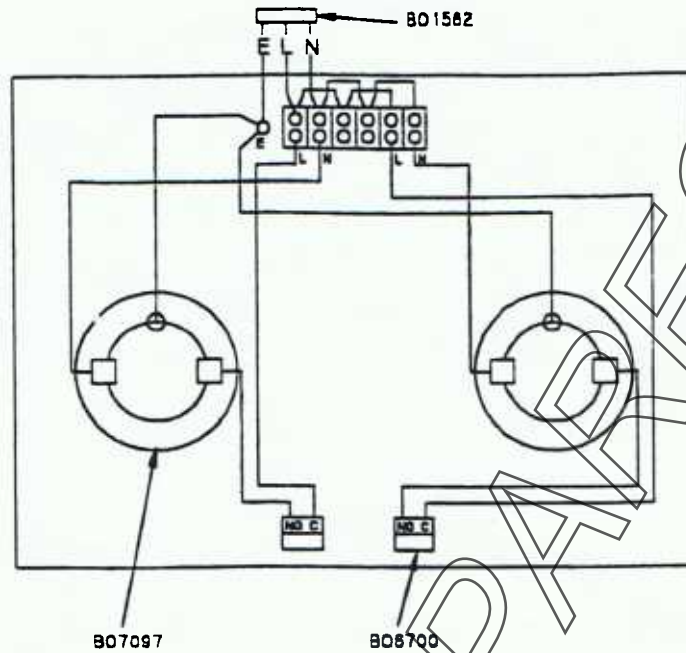
To ensure efficient extraction regularly check ducting and hoses for damage and obstructions to ensure optimum performance. Clean them out at least every month.

OTHER MAINTENANCE

There are no other user serviceable components in the dust extraction unit. Maintenance should always be carried out by a suitably qualified technician. **A.L.T. Saws & Spares Ltd** provide an extensive customer support service including technical advice, fully trained service engineers and speedy spare parts availability.

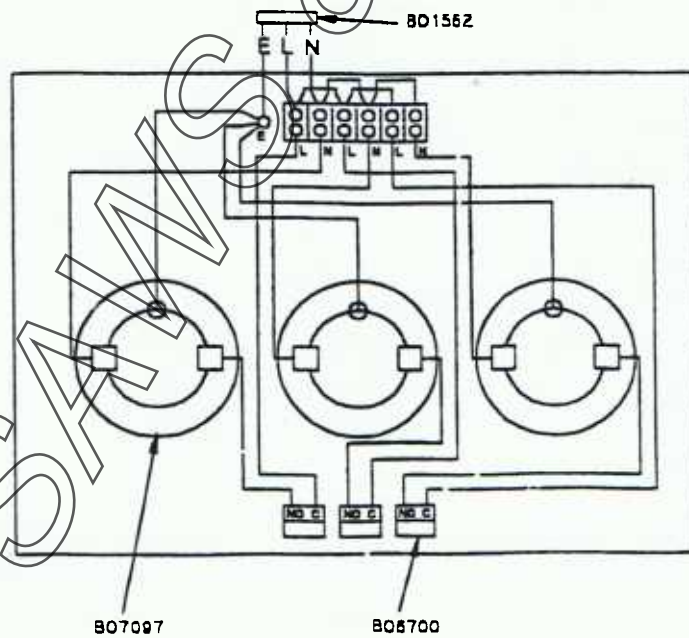
WHEN MAINTAINING THE DUST EXTRACTION UNIT OR DUST EXTRACTION SYSTEM ALWAYS USE SUITABLE PROTECTIVE EQUIPMENT TO AVOID EXCESSIVE EXPOSURE TO DUST AND INJURY FROM DEBRIS.

WIRING AND LOCATION DIAGRAM



B01562	CABLE AND PLUG	1
B06700	ROCKER SWITCH	2
B07097	MOTOR 240/1/50 1KW	2
PART No	DESCRIPTION	QTY

MiDE2 - Two Motor Unit



B01562	CABLE AND PLUG	1
B06700	ROCKER SWITCH	3
B07097	MOTOR 240/1/50 1KW	3
PART No	DESCRIPTION	QTY

MDE3 - Three Motor Unit